

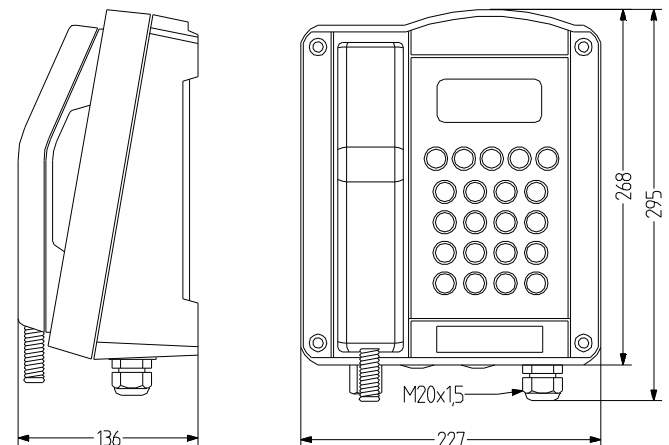
dST Explosion-proof analogue telephone

- Certified for gas and dust hazardous areas – zone 1, 2, 21, 22
- Degree of protection IP 66 & impact resistance IK09
- Very robust weather-proof housing with steel-armoured handset cord to withstand high tensile forces

- For demanding industrial, onshore and offshore applications
- V4A steel keypad, designed for use with gloves
- Easily readable alphanumerical display
- Freely programmable, housing colours black and red
- Version without keypad/display available as emergency telephone



II 2 G Ex e mb [ib] IIC T6/T5 Gb
 II 2 D tb [ib] IIIC T80°C/T100 °C Db
 -25 °C ≤ Ta ≤ +40 °C/+60 °C
 Zone 1, 2, 21, 22



TECHNICAL DATA

Dialling method	PD DTMF operation can be selected from menu DTMF operation as per CCITT recommendation Q.23 PD operation with pulse/pause ratio of 1.5:1 or 2:1, which can be selected via menu navigation
Tone ringing volume	90 dB At 1 m
Transportation/storage temperature	-25°C/+70°C
Housing	glass-fibre-reinforced polyester red or black
Cable entry	1× M20 × 1.5, 2× blind plugs M20 × 1.5
Connection technology	up to 4 mm ² rigid, up to 2.5 mm ² flexible
Operating temperature	-25°C bis +60°C (T5) -25°C bis +40°C (T6)
Degree of protection	IP66
Impact resistance	IK09
Approval	DMT 03 ATEX E034
Technology	analogue
Keypad	Metal keypad with ice protection 21 keys with ABC lettering for name entries

Noise suppression	> 3 dB thanks to integrated mouthpiece horn
Supply voltage	24 V DC-66 V DC
Supply current	0,015 A DC-0,10 A DC
Ringling alternating current	24 V AC-90 V AC (at 21-54 Hz ringing frequency) 30 V AC-90 V AC (at 16.6-54 Hz ringing frequency)
Tone ringing impedance	> 6.0 KΩ at 25 Hz and 24-90 V AC > 4.0 KΩ at 50 Hz and 24-90 V AC
Enquiry key	Flash function can be adjusted from 40 ms-399 ms
W conductor	Option to connect external call signalling sounder
Weight	5,5 kg
Display	2-line alphanumerical display with pictograms, visible area 78 × 26 mm
Mouthpiece	Electret microphone
Receiver	dynamic receiver with leakage field spool for inductively coupling hearing aids
Stabiliser bracket	integrated, adjustable stabiliser protection
Handset cord	steel-reinforced armoured cord made of V4A



dST

ORDER DATA

Type	Keypad	Display	Housing colour	
			black	red
dST1	with keypad	with display	410 010 000	410 010 100
dST2	without keypad	without display	410 020 000	410 020 100



AS1



VS1



EP1



HS1



mTCR



TH1



TH2

ACCESSORIES

Type	Type of accessory	Colour	Housing material	Weight	Order number
AS1	Explosion-proof audible telephone call signalling sounder			500 g	410 100 004
VS1	Explosion-proof visual-audible signalling sounder	black (RAL 9005)orange		1,42 kg	410 101 005
		black (RAL 9005)red		1,42 kg	410 102 005
		black (RAL 9005)clear		1,42 kg	410 104 005
		black (RAL 9005)blue		1,42 kg	410 105 005
		black (RAL 9005)green		1,42 kg	410 106 005
EP1	Explosion-proof additional earpiece set			200 g	410 100 002
HS1	Headset kit			1,33 kg	410 100 001
mTCR	Explosion-proof telephone connecting relay			1,1 kg	410 100 100
TH1	Telephone sound protection hood	yellow (RAL 1023)	PVC – plastic (UV and weather-resistant)	30 kg	410 100 012
			glass-fibre-reinforced plastic (GFRP)	40 kg	410 100 008
			Console (sheet steel, powder-coated)	17 kg	410 100 011
			Metal	35 kg	410 100 006
		red (RAL 3020)	PVC – plastic (UV and weather-resistant)	30 kg	410 100 014
			glass-fibre-reinforced plastic (GFRP)	40 kg	410 100 015
			Metal	35 kg	410 100 009
		orange (RAL 2000)	PVC – plastic (UV and weather-resistant)	30 kg	410 100 013
			glass-fibre-reinforced plastic (GFRP)	40 kg	410 100 007
		Stainless steel	Stainless steel	40 kg	410 100 010
		TH2	Telephone sound protection hood	yellow	Stainless steel
PVC – plastic (UV and weather-resistant)	3,5 g				410 100 030

